

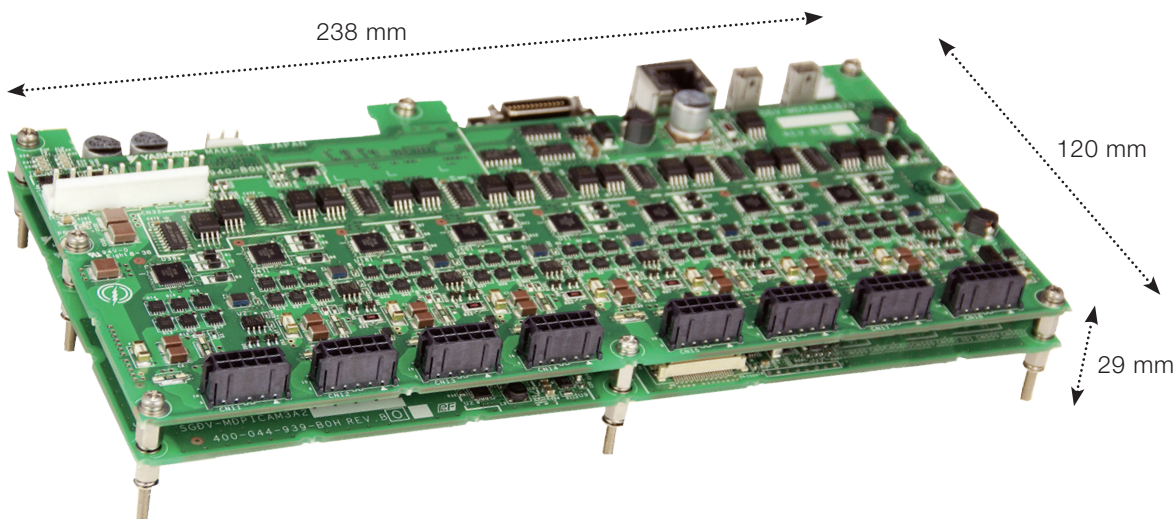
# Sigma-MD A02

SERVOPACK: SGDV-MDA02E8M3A□□ (DC Power Input)

Servomotor: SGM2V

## Compact SERVOPACK for Multi-Axis Control

Save space with this compact SERVOPACK that can be incorporated into mobile parts, such as chip mounters.



## Features

### Compact

- Requires 60% less mounting space\*

### Light

- Weighs only 335g and can be incorporated into mobile parts of equipment.

### High Control Performance

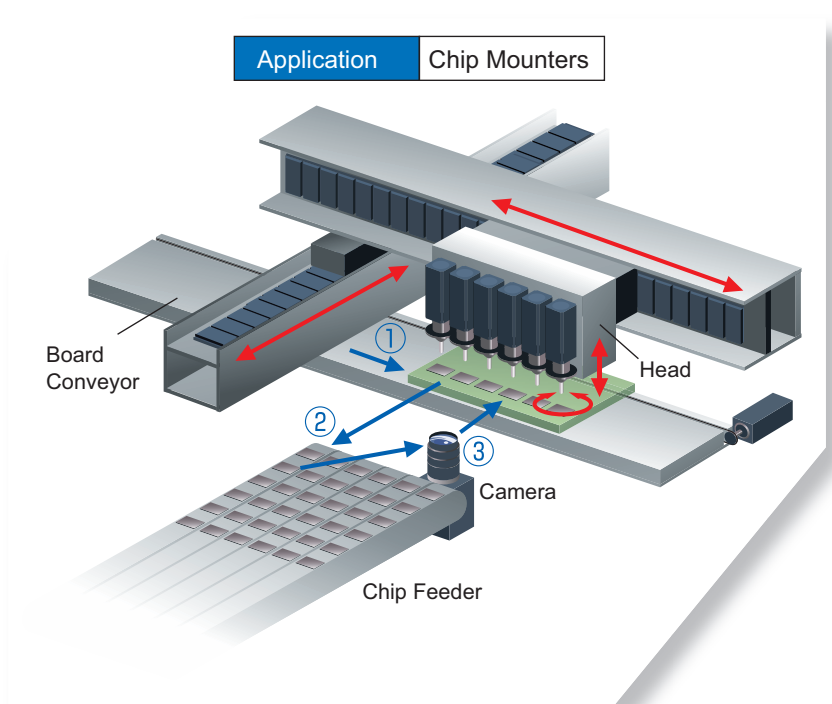
- Delivers the same control performance as a Sigma-5 SERVOPACK.

### Less Wiring (1/8)

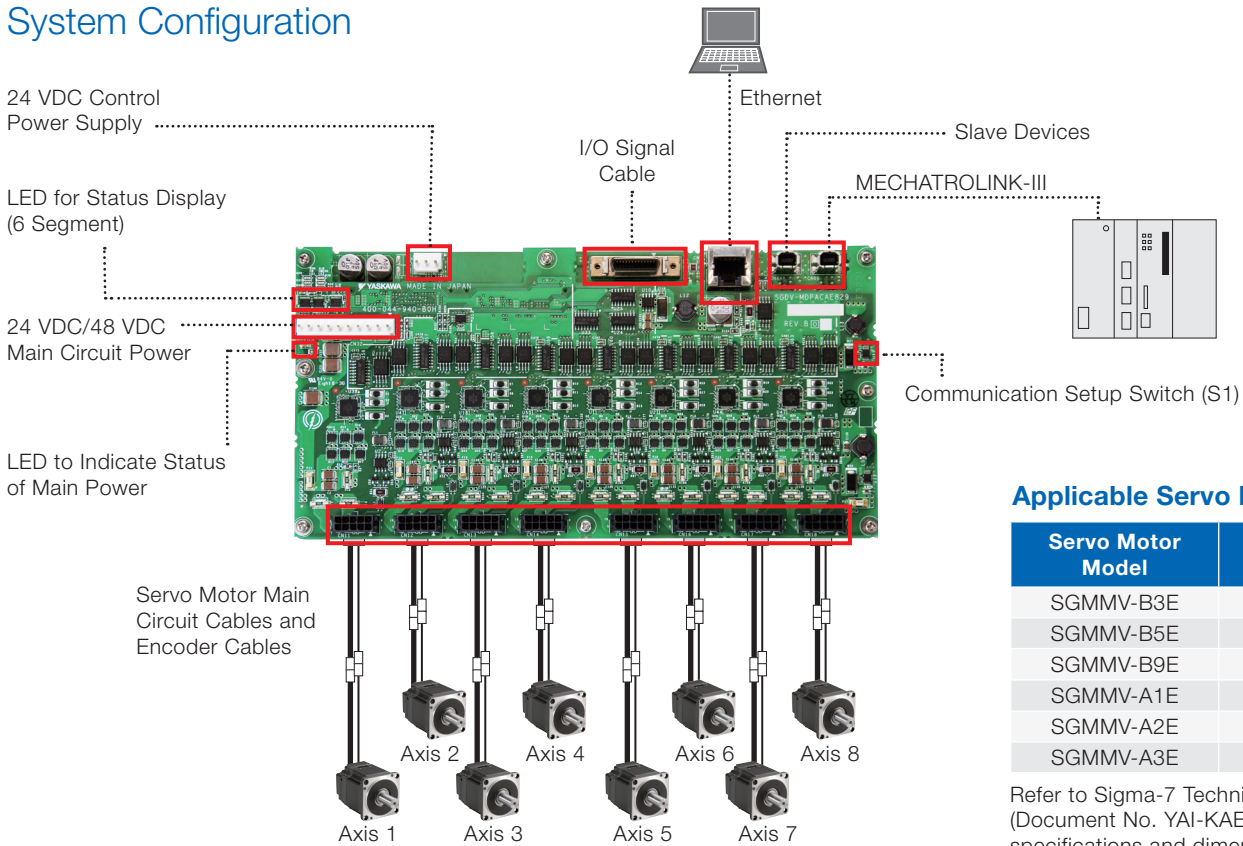
- Features a sharp reduction in the number of power and communication cables<sup>\*2</sup>.
- Reduces mechanical stress on cables and devices

\*1: Compared to a configuration of 8 Sigma-5 SERVOPACKS with DC input

\*2: Requires the same number of encoder cables and servomotor main circuit cables.



## System Configuration



## Applicable Servo Motors

Servo Motor Model	Rated Output
SGMMV-B3E	3.3 W
SGMMV-B5E	5.5 W
SGMMV-B9E	11 W
SGMMV-A1E	10 W
SGMMV-A2E	20 W
SGMMV-A3E	30 W

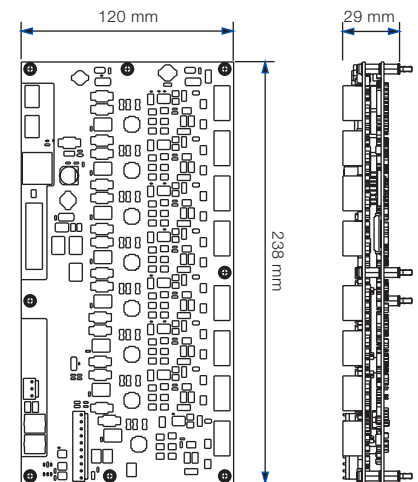
Refer to Sigma-7 Technical Supplement (Document No. YAI-KAEPS80000123 for specifications and dimensions

## Basic Specifications

SERVOPACK Model	SGDV-MDA02E8M3A	SGDV-MDA02E8M3A01
Number of Axes	8 per SERVOPACK	
Interface	MECHATROLINK-III (transmission cycle: 250 $\mu$ s to 4 ms)	
Input Power Supply	Main circuit: 24 VDC/48 VDC; Control circuit: 24 VDC	
Operating Conditions	Surrounding air temperature: 0°C to +55°C Vibration resistance: 49 m/s <sup>2</sup> (5G) Shock resistance: 147 m/s <sup>2</sup> (15G)	
International Standards	CE, KC	
Functions & Control Performance	Equivalent to Sigma-5 SERVOPACKs (does not support the tests without motor function)	
Tools	SigmaWin+ (connected with controller via Ethernet and MECHATROLINK)	
I/O Signals	None	Input: 8 ch; output: 8 ch
Mass	326 g*	335 g*
Size	238 mm x 120 mm x 29 mm	

\* Includes the weight of studs and screws used to mount the SERVOPACK.

## Dimensions in mm



Studs and screws to be prepared by user.